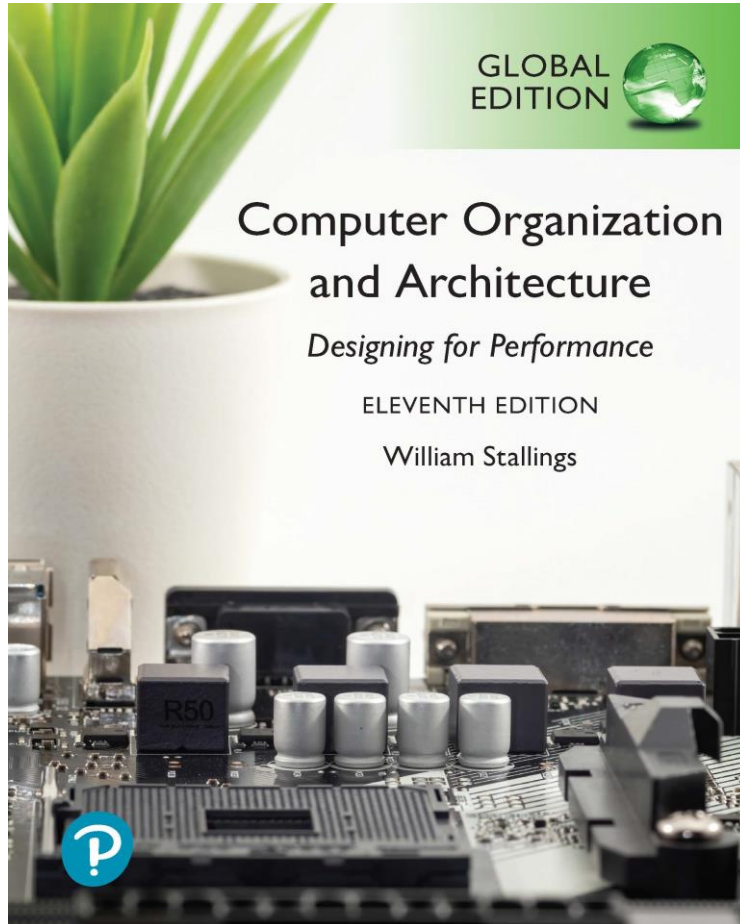


Computer Organization and Architecture

Designing for Performance

11th Edition, Global Edition

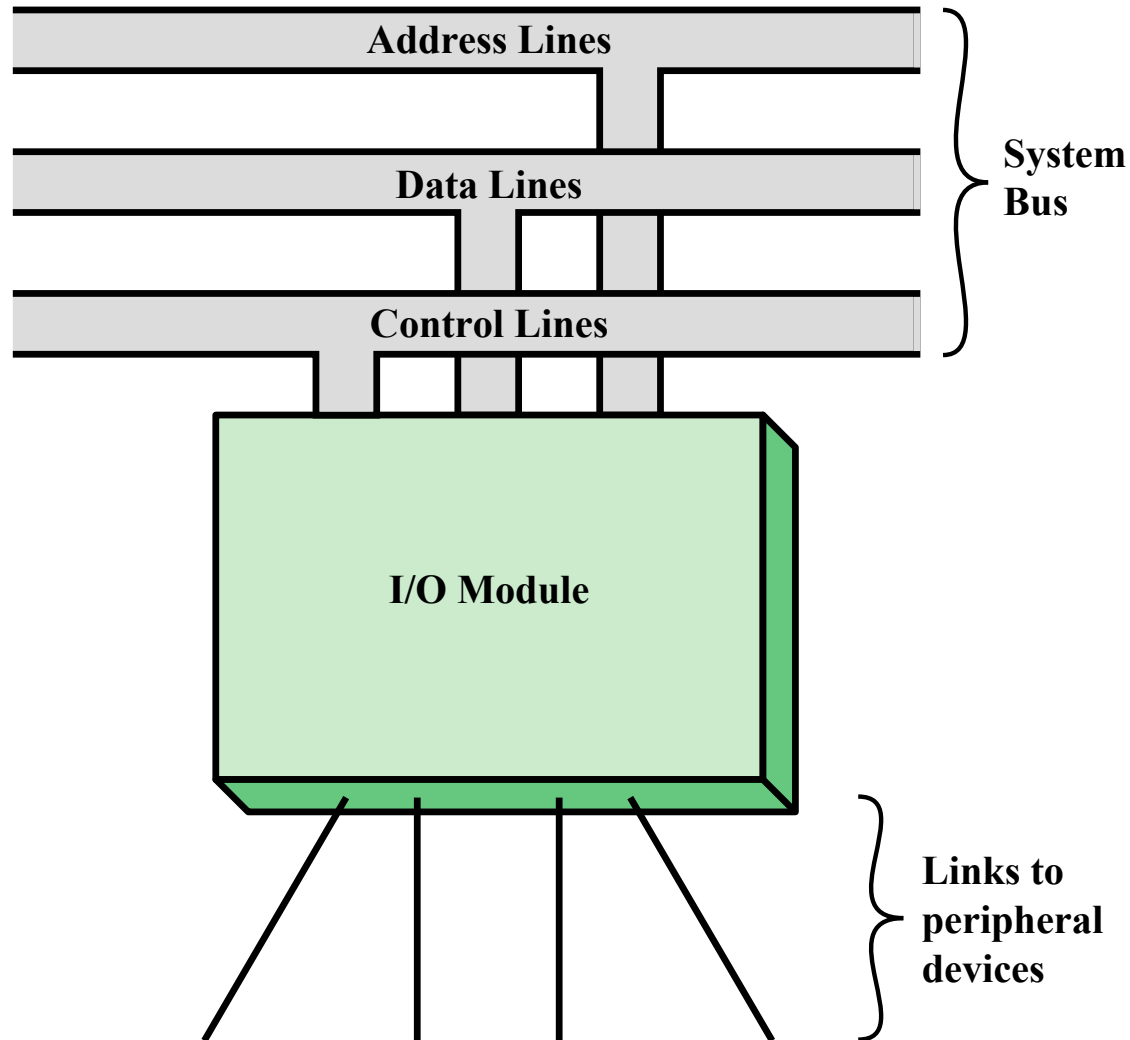


Chapter 8

Input/Output

Figure 8.1

Generic Model of an I/O Module



External Devices

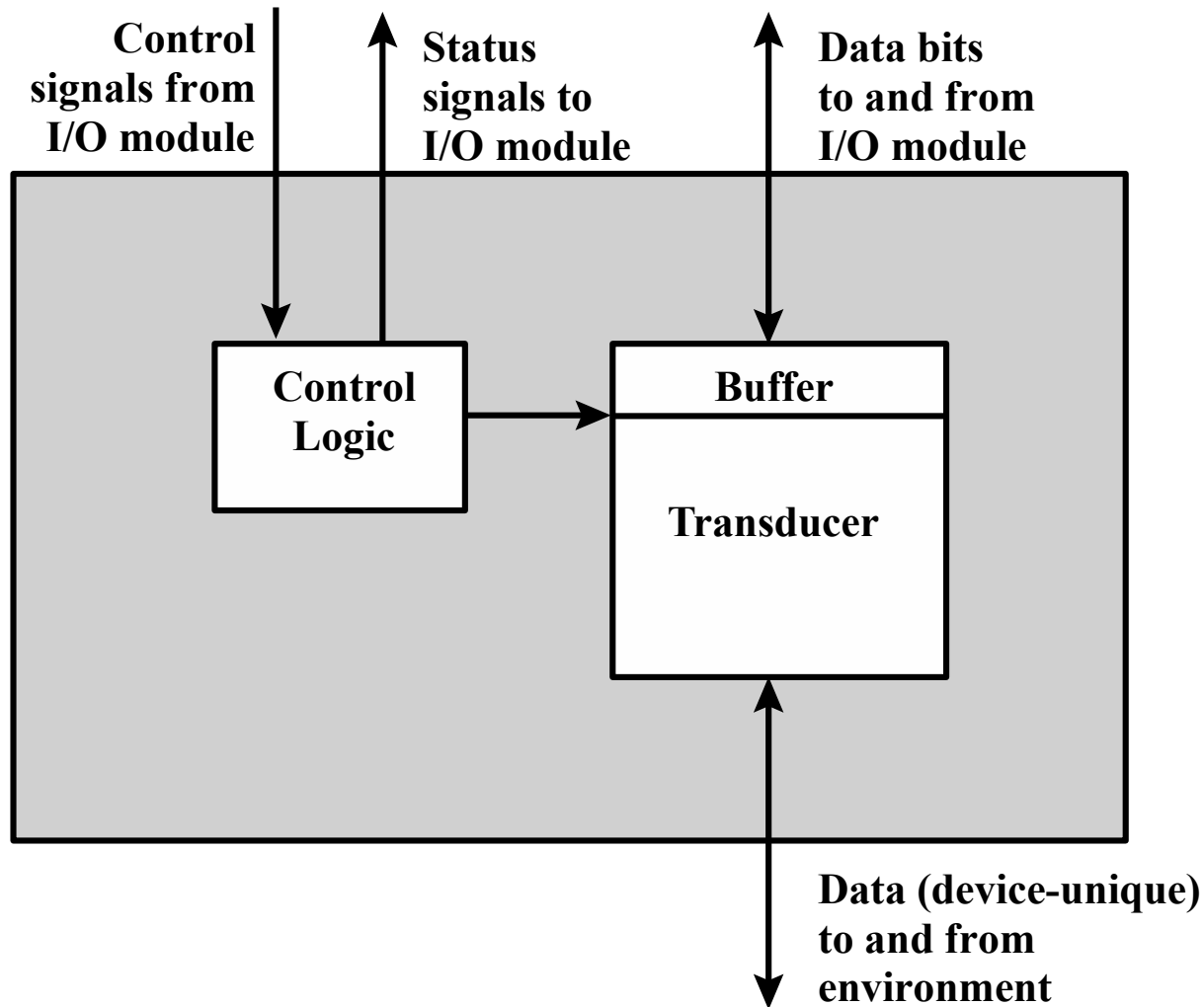
- Provide a means of exchanging data between the external environment and the computer
- Attach to the computer by a link to an I/O module
 - The link is used to exchange control, status, and data between the I/O module and the external device
- *Peripheral device*
 - An external device connected to an I/O module

Three categories:

- **Human readable**
 - Suitable for communicating with the computer user
 - Video display terminals (VDTs), printers
- **Machine readable**
 - Suitable for communicating with equipment
 - Magnetic disk and tape systems, sensors and actuators
- **Communication**
 - Suitable for communicating with remote devices such as a terminal, a machine readable device, or another computer

Figure 8.2

Block Diagram of an External Device



Keyboard/Monitor

International Reference Alphabet (IRA)

- Basic unit of exchange is the character
 - Associated with each character is a code
 - Each character in this code is represented by a unique 7-bit binary code
 - 128 different characters can be represented
- Characters are of two types:
 - Printable
 - Alphabetic, numeric, and special characters that can be printed on paper or displayed on a screen
 - Control
 - Have to do with controlling the printing or displaying of characters
 - Example is carriage return
 - Other control characters are concerned with communications procedures

Most common means of computer/user interaction

User provides input through the keyboard

The monitor displays data provided by the computer

Keyboard Codes

- When the user depresses a key it generates an electronic signal that is interpreted by the transducer in the keyboard and translated into the bit pattern of the corresponding IRA code
- This bit pattern is transmitted to the I/O module in the computer
- On output, IRA code characters are transmitted to an external device from the I/O module
- The transducer interprets the code and sends the required electronic signals to the output device either to display the indicated character or perform the requested control function

I/O Functions

The major functions for an I/O module fall into the following categories:

Control and timing

- Coordinates the flow of traffic between internal resources and external devices

Processor communication

- Involves command decoding, data, status reporting, address recognition

Device communication

- Involves commands, status information, and data

Data buffering

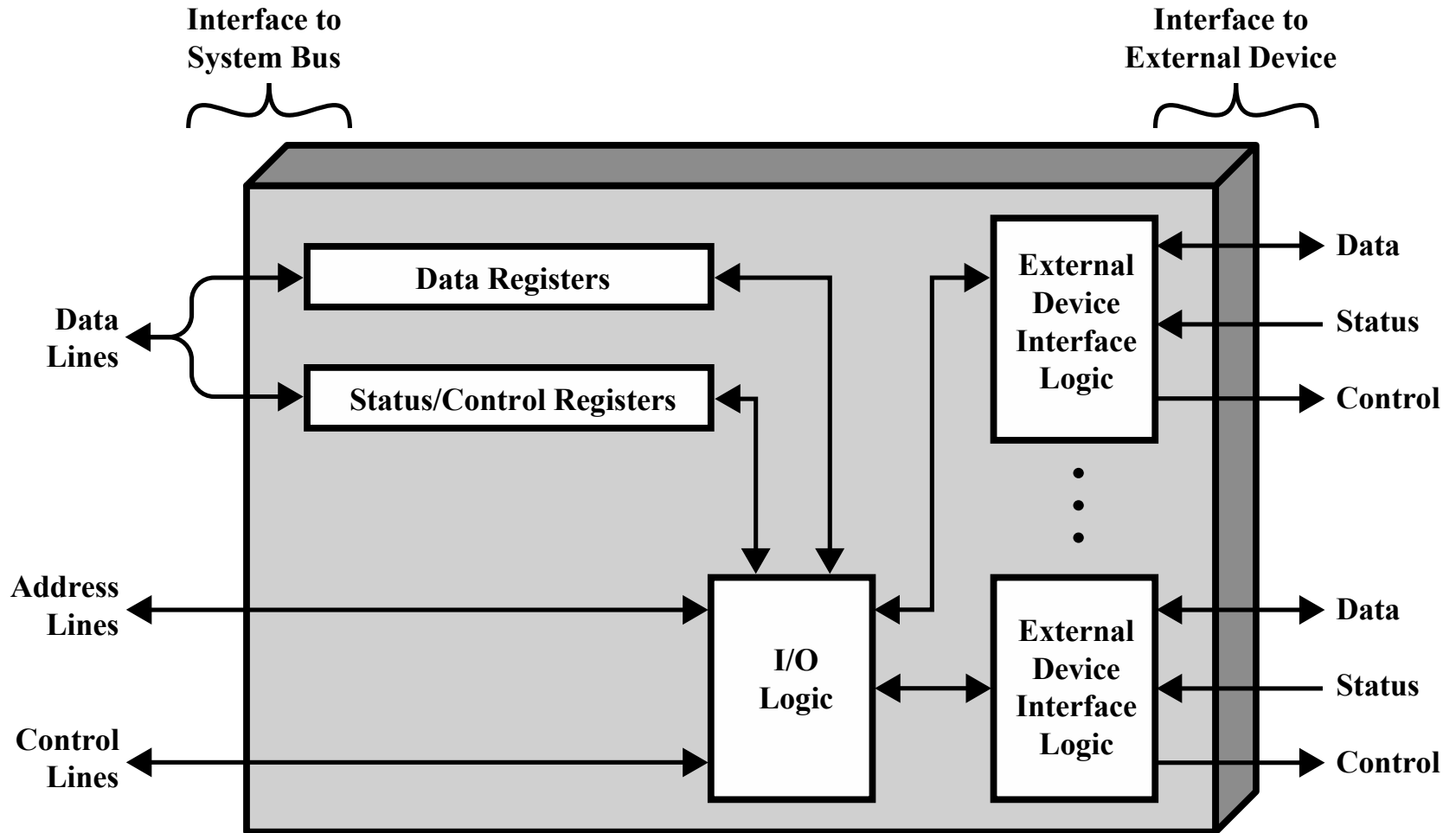
- Performs the needed buffering operation to balance device and memory speeds

Error detection

- Detects and reports transmission errors

Figure 8.3

Block Diagram of an I/O Module



Programmed I/O

Three techniques are possible for I/O operations:

- Programmed I/O
 - Data are exchanged between the processor and the I/O module
 - Processor executes a program that gives it direct control of the I/O operation
 - When the processor issues a command it must wait until the I/O operation is complete
 - If the processor is faster than the I/O module this is wasteful of processor time
- Interrupt-driven I/O
 - Processor issues an I/O command, continues to execute other instructions, and is interrupted by the I/O module when the latter has completed its work
- Direct memory access (DMA)
 - The I/O module and main memory exchange data directly without processor involvement

Table 8.1

I/O Techniques

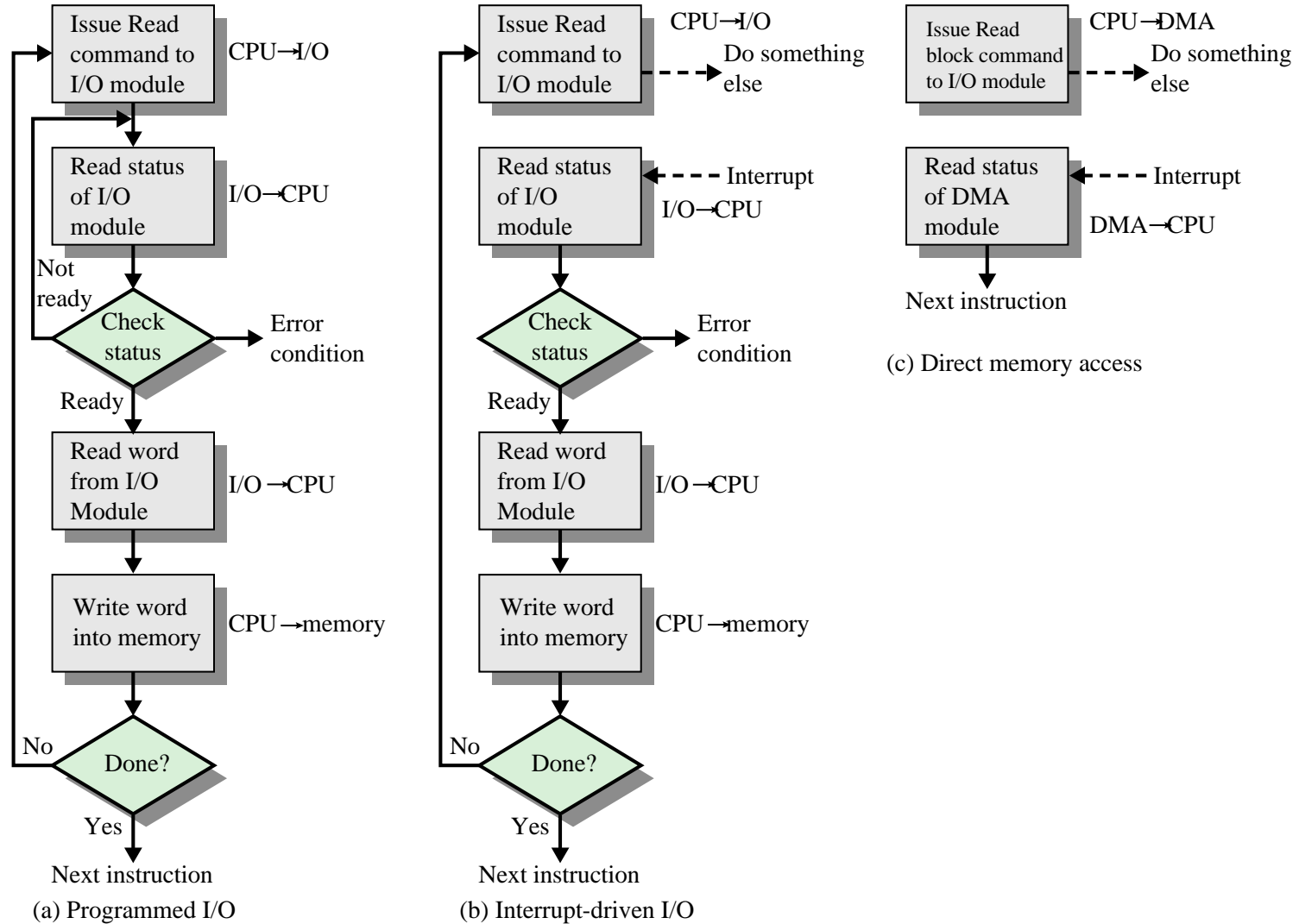
| | No Interrupts | Use of Interrupts |
|--|----------------|----------------------------|
| I/O-to-memory transfer through processor | Programmed I/O | Interrupt-driven I/O |
| Direct I/O-to-memory transfer | | Direct memory access (DMA) |

I/O Commands

- There are four types of I/O commands that an I/O module may receive when it is addressed by a processor:
 - 1) Control
 - used to activate a peripheral and tell it what to do
 - 2) Test
 - used to test various status conditions associated with an I/O module and its peripherals
 - 3) Read
 - causes the I/O module to obtain an item of data from the peripheral and place it in an internal buffer
 - 4) Write
 - causes the I/O module to take an item of data from the data bus and subsequently transmit that data item to the peripheral

Figure 8.4

Three Techniques for Input of a Block of Data



I/O Instructions

With programmed I/O there is a close correspondence between the I/O-related instructions that the processor fetches from memory and the I/O commands that the processor issues to an I/O module to execute the instructions

The form of the instruction depends on the way in which external devices are addressed

Each I/O device connected through I/O modules is given a unique identifier or address

When the processor issues an I/O command, the command contains the address of the desired device

Thus each I/O module must interpret the address lines to determine if the command is for itself

Memory-mapped I/O

There is a single address space for memory locations and I/O devices

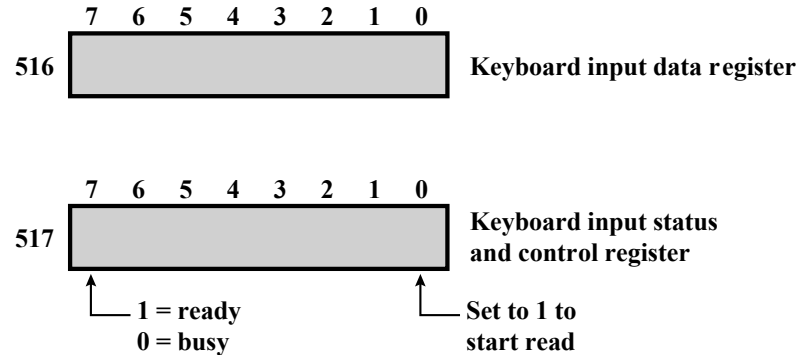
A single read line and a single write line are needed on the bus

I/O Mapping Summary

- Memory mapped I/O
 - Devices and memory share an address space
 - I/O looks just like memory read/write
 - No special commands for I/O
 - Large selection of memory access commands available
- Isolated I/O
 - Separate address spaces
 - Need I/O or memory select lines
 - Special commands for I/O
 - Limited set

Figure 8.5

Memory-Mapped and Isolated I/O



| ADDRESS | INSTRUCTION | OPERAND | COMMENT |
|---------|--------------------|---------|------------------------|
| 200 | Load AC | "1" | Load accumulator |
| | Store AC | 517 | Initiate keyboard read |
| 202 | Load AC | 517 | Get status byte |
| | Branch if Sign = 0 | 202 | Loop until ready |
| | Load AC | 516 | Load data byte |

(a) Memory-mapped I/O

| ADDRESS | INSTRUCTION | OPERAND | COMMENT |
|---------|------------------|---------|------------------------|
| 200 | Load I/O | 5 | Initiate keyboard read |
| 201 | Test I/O | 5 | Check for completion |
| | Branch Not Ready | 201 | Loop until complete |
| | In | 5 | Load data byte |

(b) Isolated I/O

Interrupt-Driven I/O

The problem with programmed I/O is that the processor has to wait a long time for the I/O module to be ready for either reception or transmission of data

An alternative is for the processor to issue an I/O command to a module and then go on to do some other useful work

The I/O module will then interrupt the processor to request service when it is ready to exchange data with the processor

The processor executes the data transfer and resumes its former processing

Figure 8.6

Simple Interrupt Processing

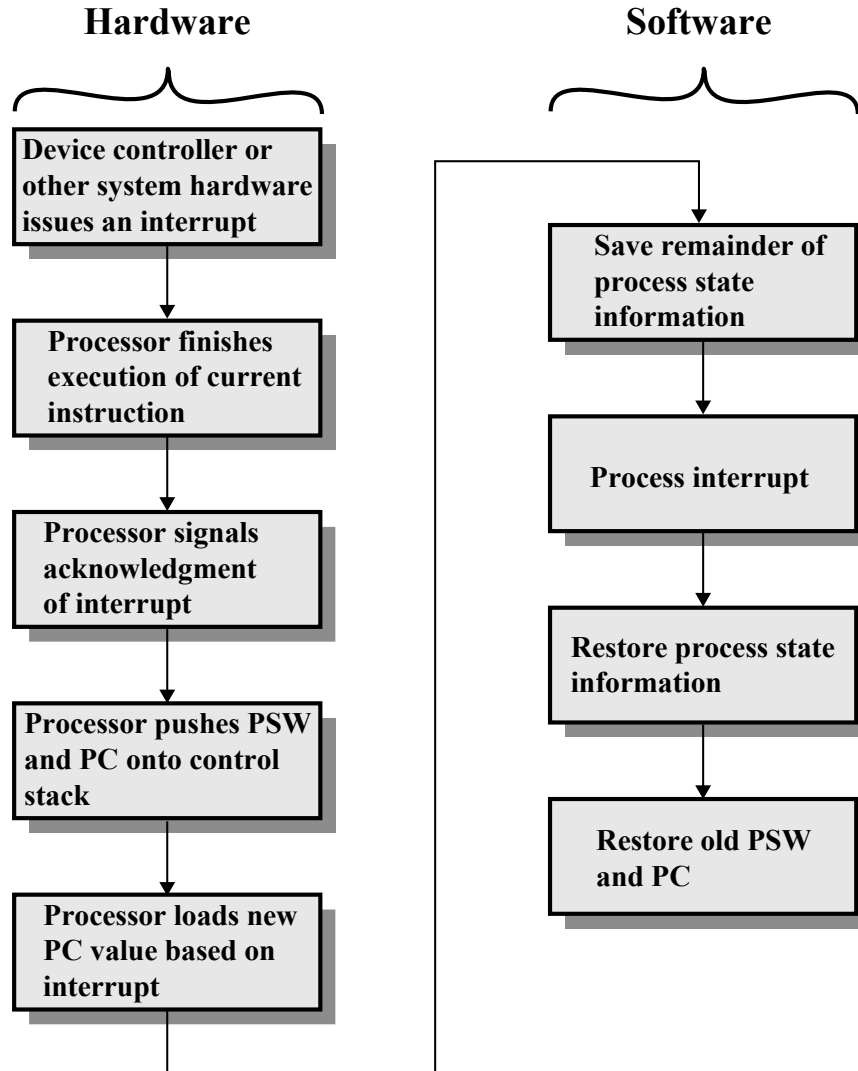
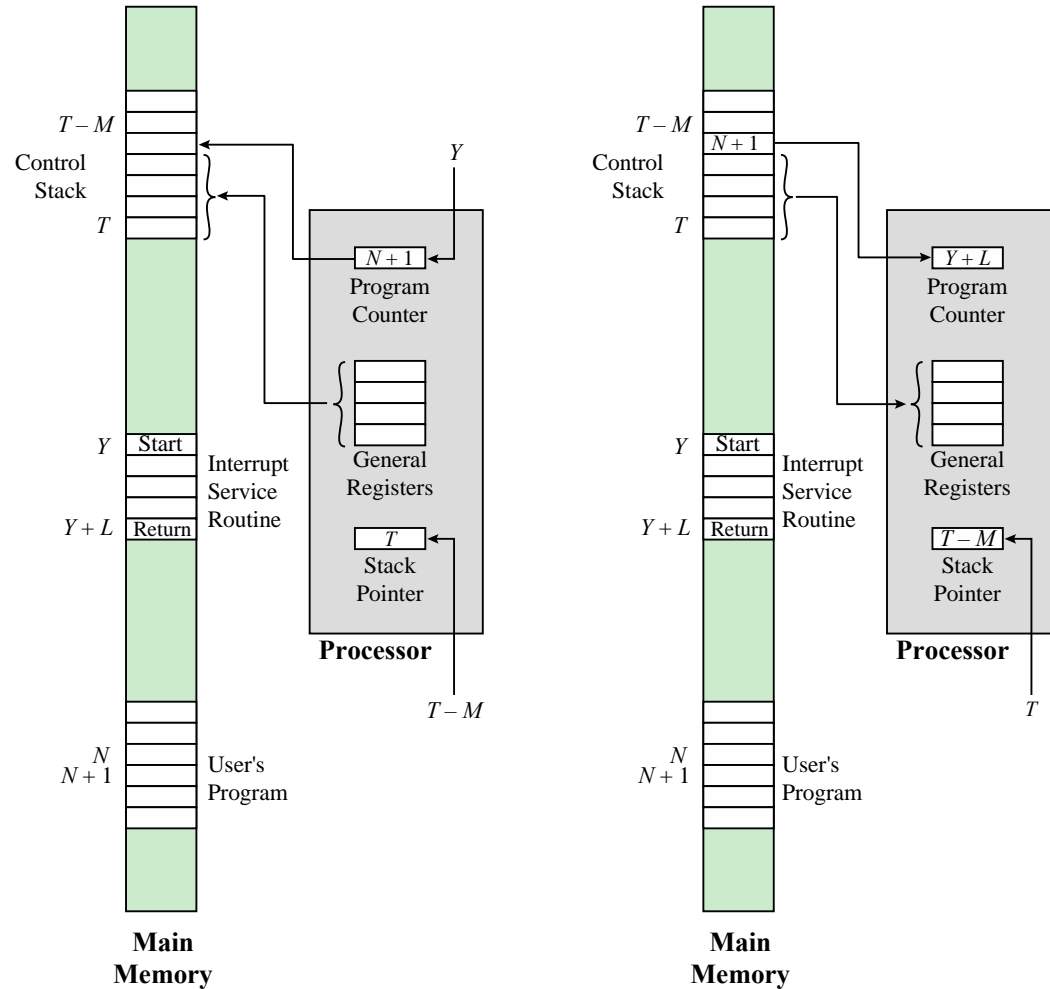


Figure 8.7

Changes in Memory and Registers for an Interrupt



(a) Interrupt occurs after instruction at location N

(b) Return from interrupt

Design Issues

Two design issues arise in implementing interrupt I/O:

- Because there will be multiple I/O modules how does the processor determine which device issued the interrupt?
- If multiple interrupts have occurred how does the processor decide which one to process?

Device Identification

Four general categories of techniques are in common use:

- **Multiple interrupt lines**
 - Between the processor and the I/O modules
 - Most straightforward approach to the problem
 - Consequently even if multiple lines are used, it is likely that each line will have multiple I/O modules attached to it
- **Software poll**
 - When the processor detects an interrupt it branches to an interrupt-service routine whose job is to poll each I/O module to determine which module caused the interrupt
 - Time consuming
- **Daisy chain (hardware poll, vectored)**
 - The interrupt acknowledge line is daisy chained through the modules
 - Vector – address of the I/O module or some other unique identifier
 - Vectored interrupt – processor uses the vector as a pointer to the appropriate device-service routine, avoiding the need to execute a general interrupt-service routine first
- **Bus arbitration (vectored)**
 - An I/O module must first gain control of the bus before it can raise the interrupt request line
 - When the processor detects the interrupt it responds on the interrupt acknowledge line
 - Then the requesting module places its vector on the data lines

Figure 8.8

Use of the 82C59A Interrupt Controller

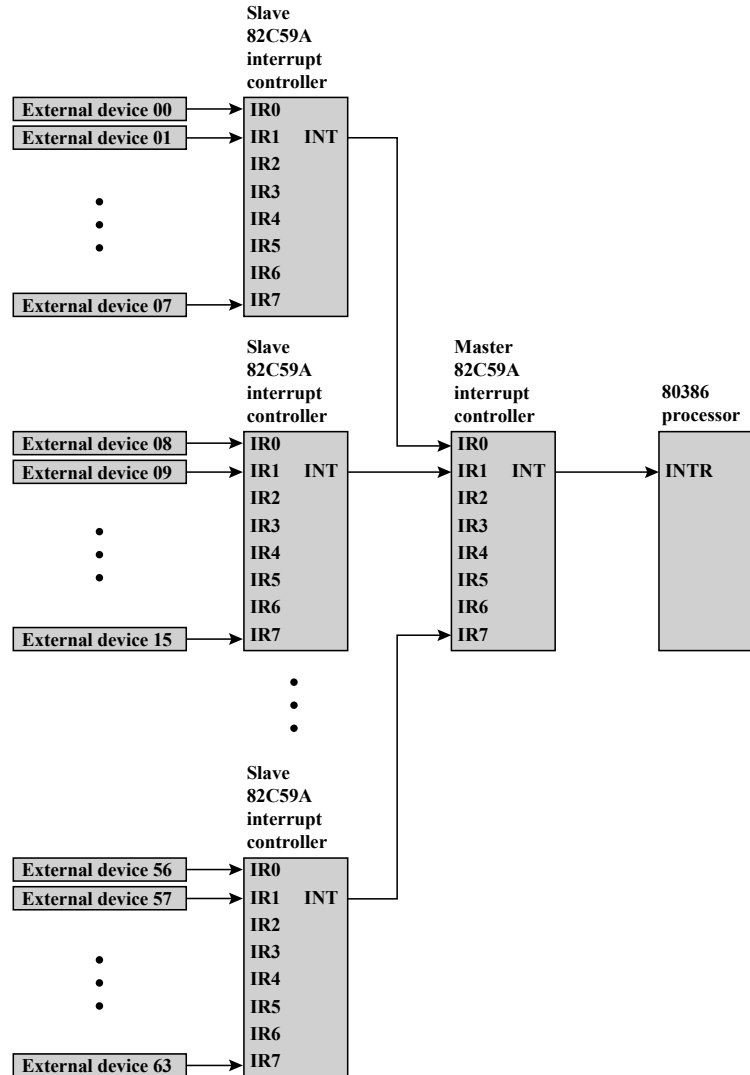


Figure 8.9

The Intel 8255A Programmable Peripheral Interface

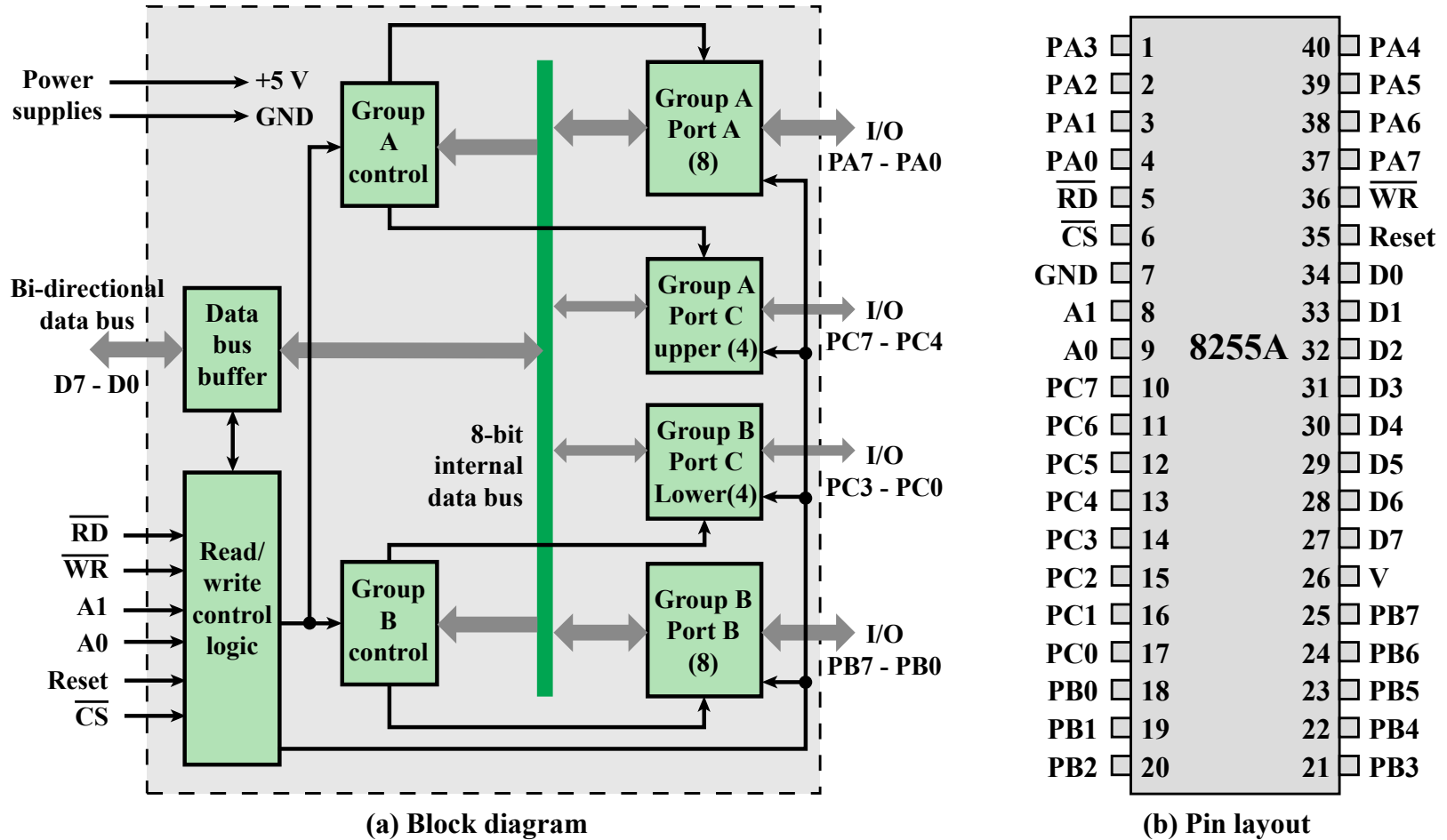
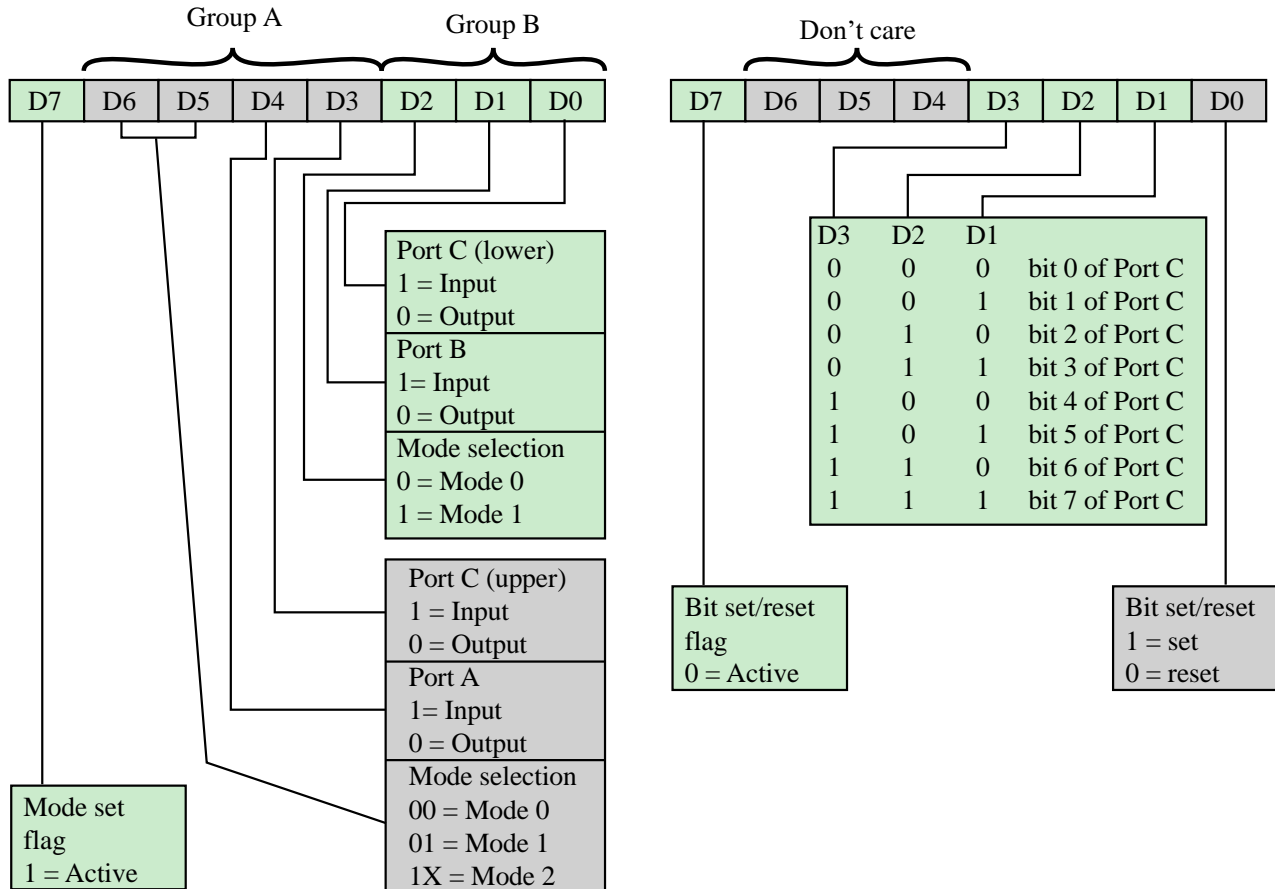


Figure 8.10

The Intel 8255A Control Word

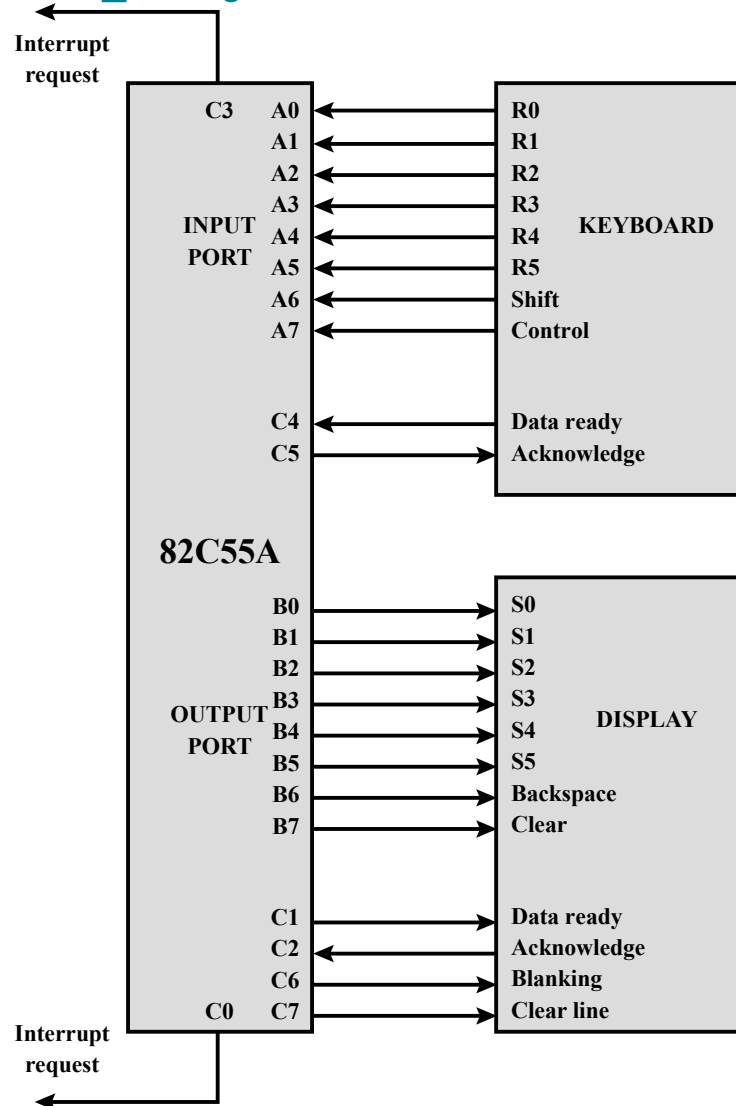


(a) Mode definition of the 8255 control register to configure the 8255

(b) Bit definitions of the 8255 control register to modify single bits of port C

Figure 8.11

Keyboard/Display Interface to 8255A



Drawbacks of Programmed and Interrupt-Driven I/O

- Both forms of I/O suffer from two inherent drawbacks:
 - 1) The I/O transfer rate is limited by the speed with which the processor can test and service a device
 - 2) The processor is tied up in managing an I/O transfer; a number of instructions must be executed for each I/O transfer
- When large volumes of data are to be moved a more efficient technique is direct memory access (DMA)

Figure 8.12

Typical DMA Block Diagram

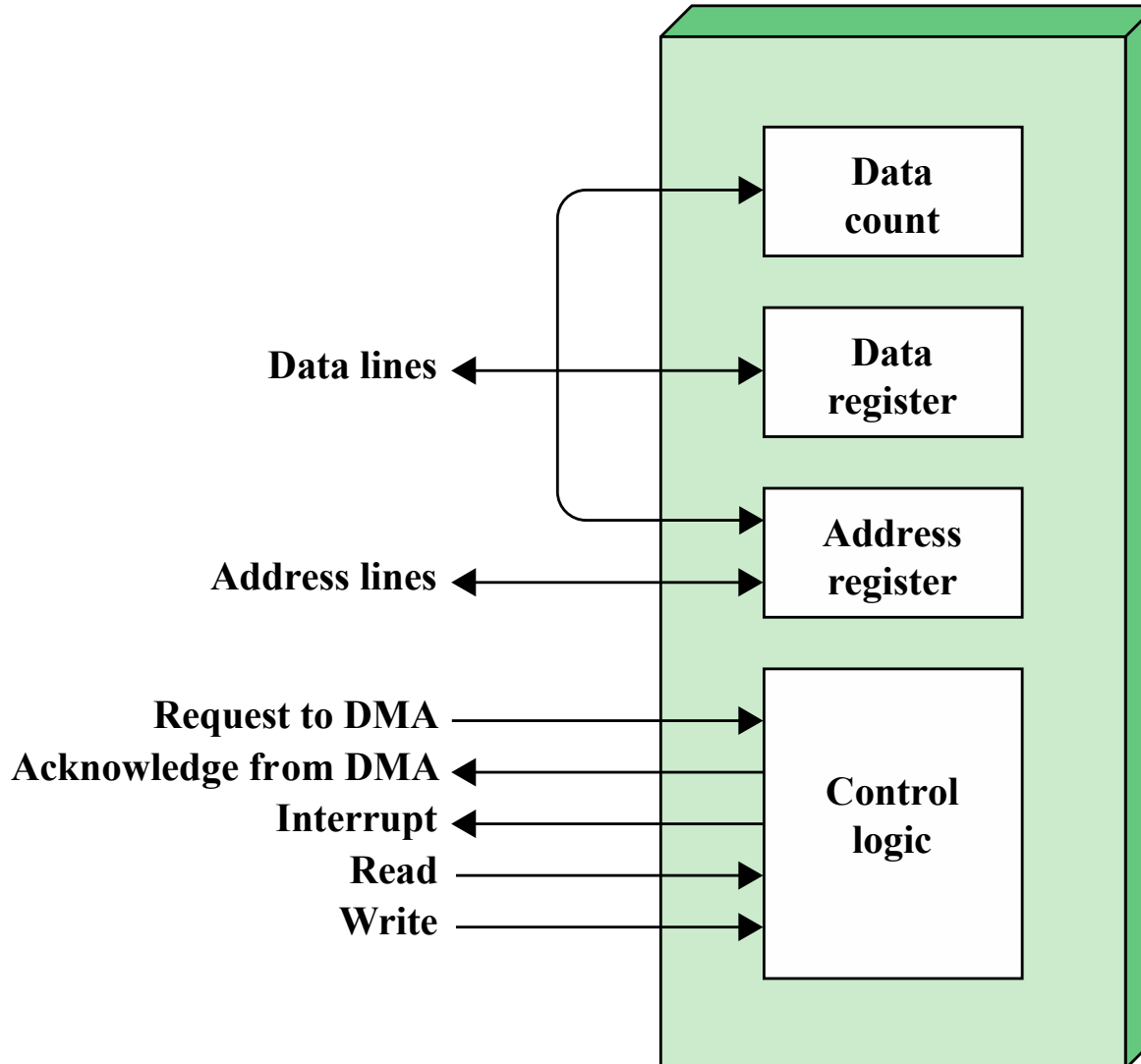


Figure 8.13

DMA and Interrupt Breakpoints during an Instruction Cycle

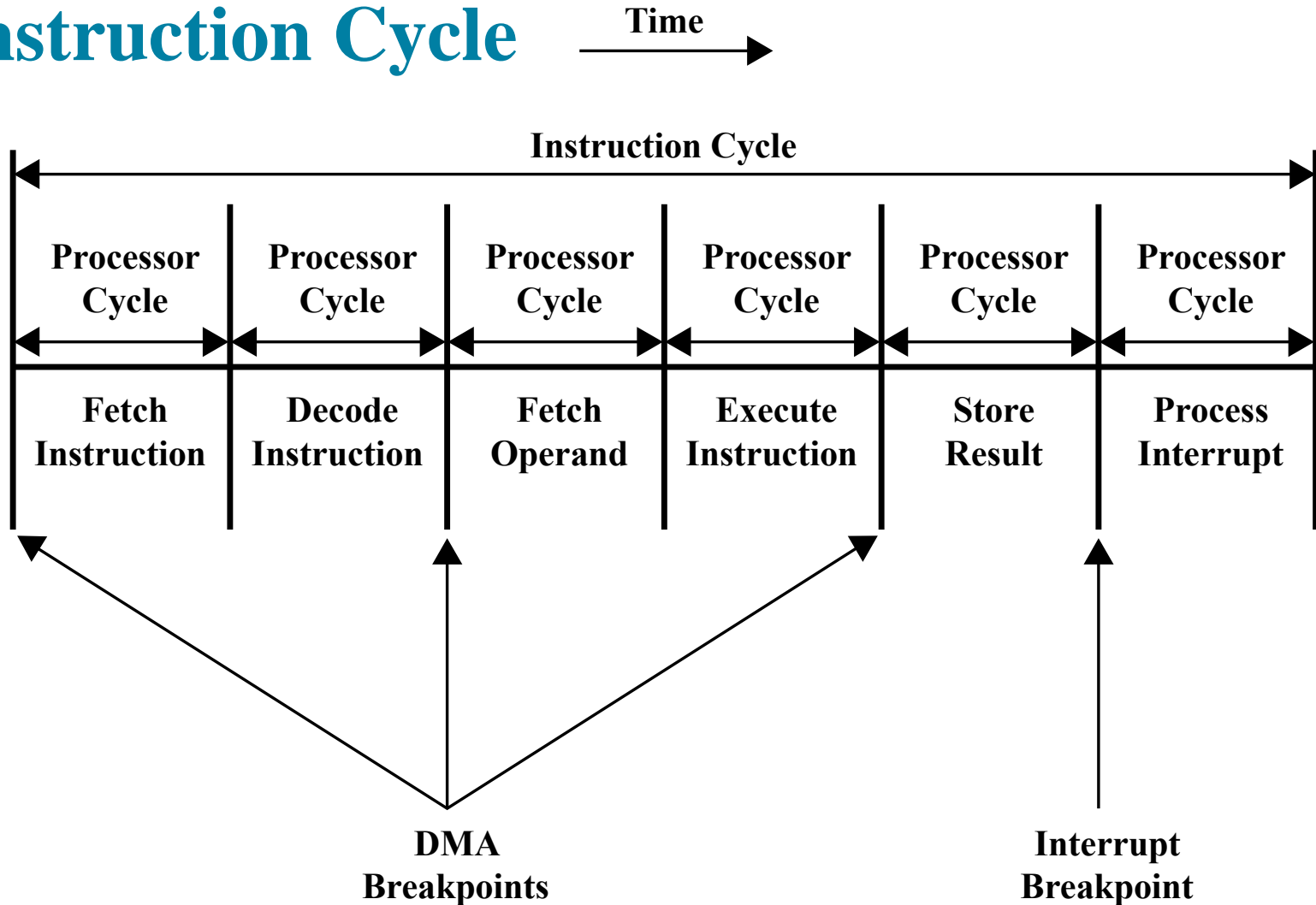
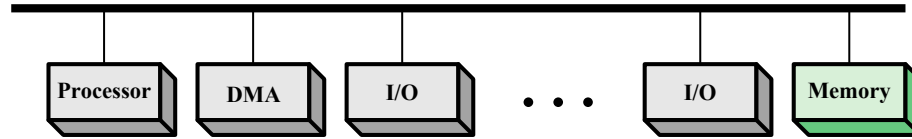
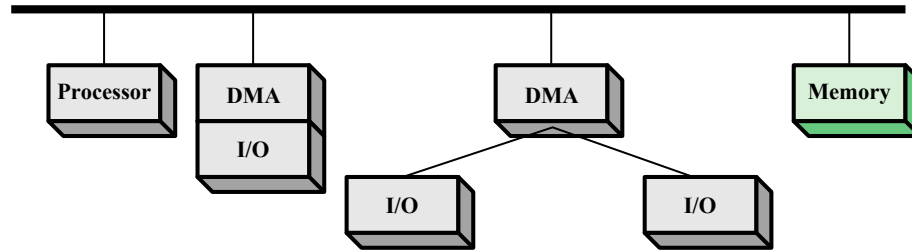


Figure 8.14

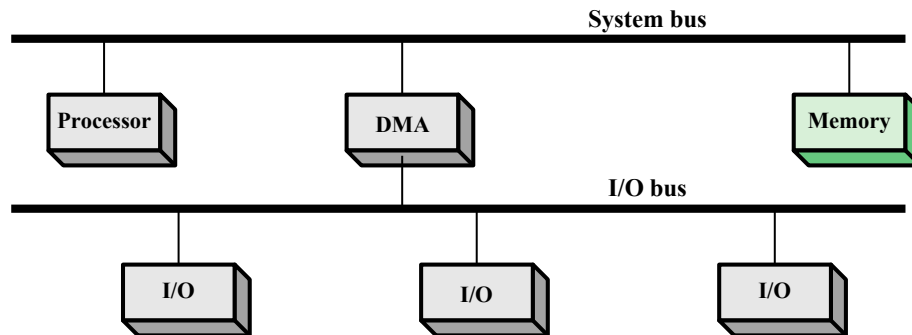
Alternative DMA Configurations



(a) Single-bus, detached DMA



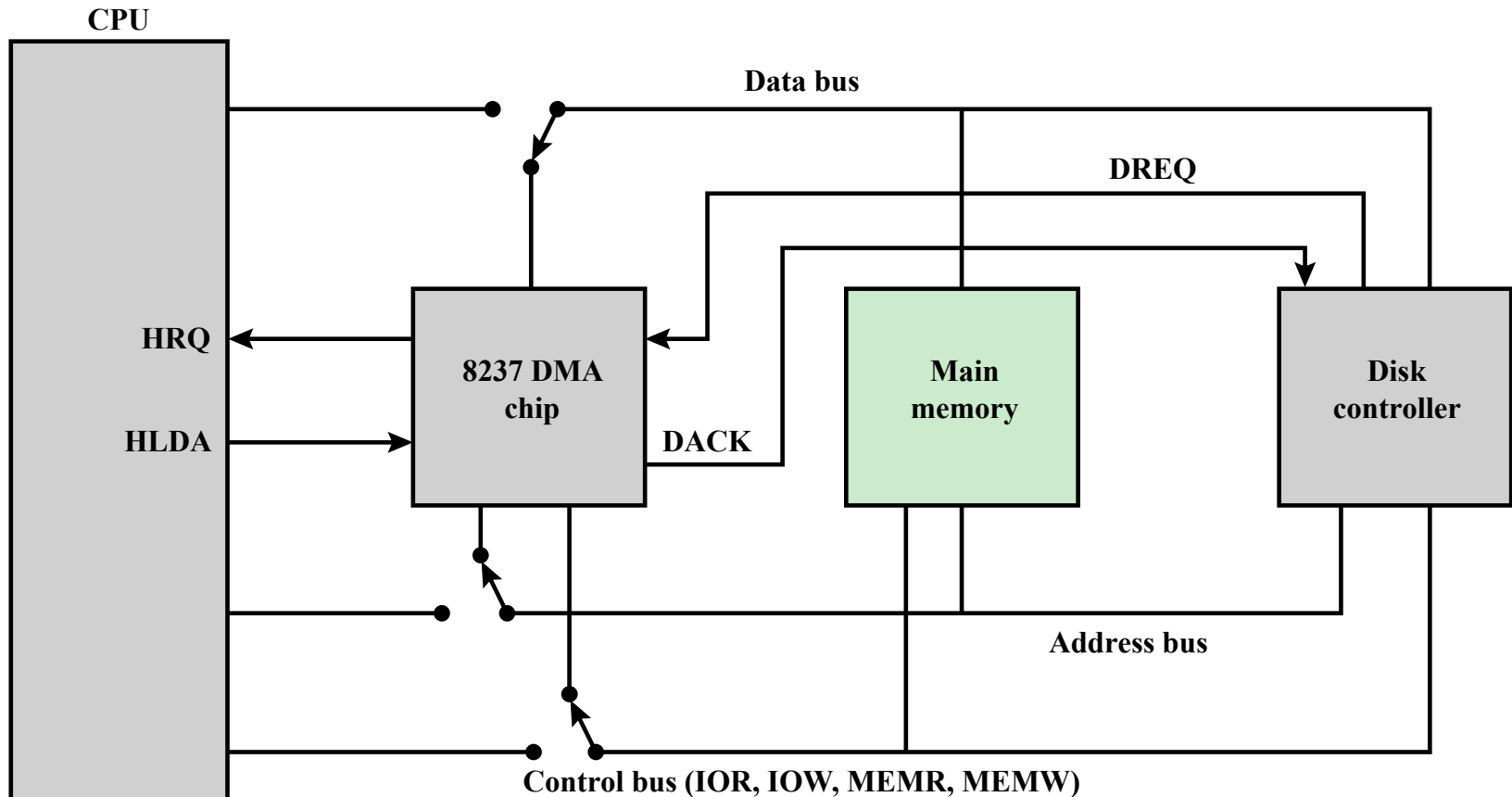
(b) Single-bus, Integrated DMA-I/O



(c) I/O bus

Figure 8.15

8237 DMA Usage of System Bus



DACK = DMA acknowledge
DREQ = DMA request
HLDA = HOLD acknowledge
HRQ = HOLD request

Fly-By DMA Controller

Data does not pass through and is not stored in DMA chip

- DMA can only transfer data between an I/O port and a memory address
- Not between two I/O ports or two memory locations

Can do memory to memory via register

8237 contains four DMA channels

- Can be programmed independently
- Any one of the channels may be active at any moment
- These channels are numbered 0, 1, 2, and 3

Table 8.2

Intel 8237A Registers

| Bit | Command | Status | Mode | Single Mask | All Mask |
|-----|----------------------------------|-----------------------------|--|----------------------------|-----------------------------------|
| D0 | Memory- to- memory E/D | Channel 0 has reached TC | Channel select | Select channel mask bit | Clear/set chan- nel 0 mask bit |
| D1 | Channel 0 address hold E/D | Channel 1 has reached TC | | | Clear/set chan- nel 1 mask bit |
| D2 | Controller E/D | Channel 2 has reached TC | Verify/write/read transfer | Clear/set mask bit | Clear/set chan- nel 2 mask bit |
| D3 | Normal/com- pressed timing | Channel 3 has reached TC | | | Clear/set chan- nel 3 mask bit |
| D4 | Fixed/rotating priority | Channel 0 request | Auto- initialization E/D | | |
| D5 | Late/extended write selection | Channel 0 request | Address increment/ decrement select | | |
| D6 | DREQ sense active high/low | Channel 0 request | | | |
| D7 | DACK sense active high/low | Channel 0 request | Demand/single/ block/cascade mode select | | |

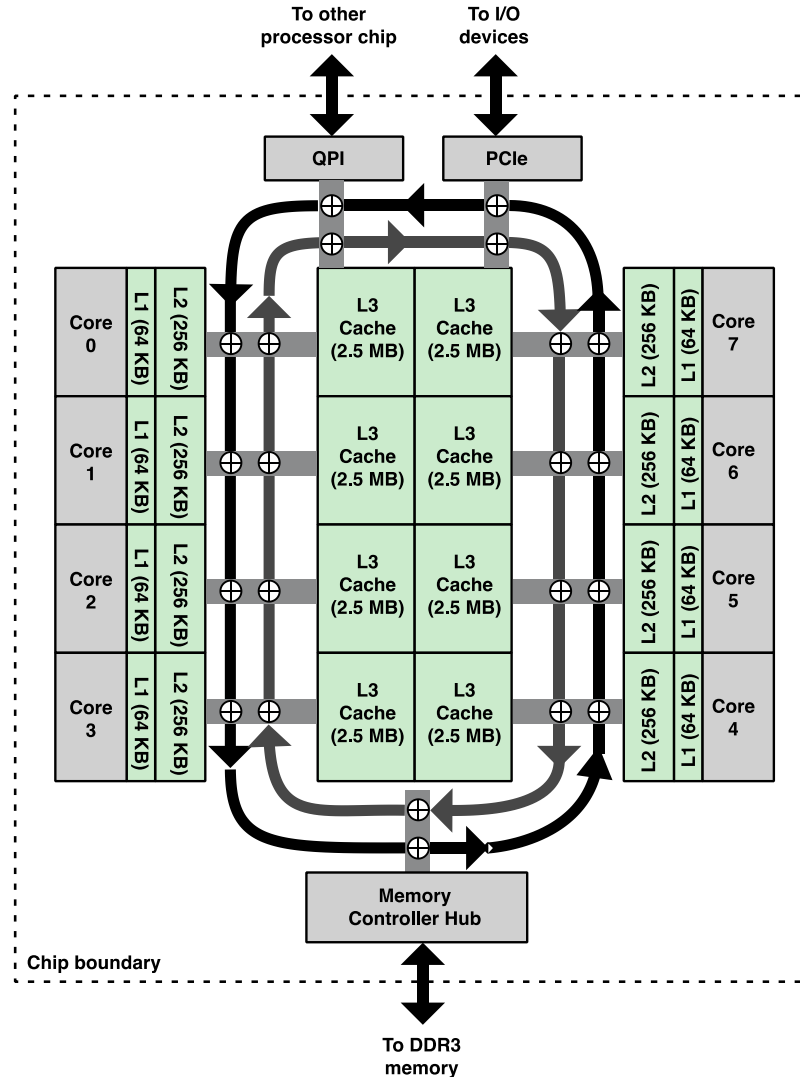
E/D = enable/disable
TC = terminal count

Direct Cache Access (DCA)

- DMA is not able to scale to meet the increased demand due to dramatic increases in data rates for network I/O
- Demand is coming primarily from the widespread deployment of 10-Gbps and 100-Gbps Ethernet switches to handle massive amounts of data transfer to and from database servers and other high-performance systems
- Another source of traffic comes from Wi-Fi in the gigabit range
- Network Wi-Fi devices that handle 3.2 Gbps and 6.76 Gbps are becoming widely available and producing demand on enterprise systems

Figure 8.16

Xeon E5-2600/4600 Chip Architecture



Cache-Related Performance Issues (1 of 2)

Network traffic is transmitted in the form of a sequence of protocol blocks called packets or protocol data units

The lowest, or link, level protocol is typically Ethernet, so that each arriving and departing block of data consists of an Ethernet packet containing as payload the higher-level protocol packet

The higher-level protocols are usually the Internet Protocol (IP), operating on top of Ethernet and the Transmission Control Protocol (TCP), operating on top of IP

The Ethernet payload consists of a block of data with a TCP header and an IP header

For outgoing data, Ethernet packets are formed in a peripheral component, such as in I/O controller or network interface controller (NIC)

For incoming traffic, the I/O controller strips off the Ethernet information and delivers the TCP/IP packet to the host CPU

Cache-Related Performance Issues (2 of 2)

For both outgoing and incoming traffic the core, main memory, and cache are all involved

In a DMA scheme, when an application wishes to transmit data, it places that data in an application-assigned buffer in main memory

- The core transfers this to a system buffer in main memory and creates the necessary TCP and IP headers, which are also buffered in system memory
- The packet is then picked up via DMA for transfer via the NIC
- This activity engages not only main memory but also the cache
- Similar transfers between system and application buffers are required for incoming traffic

Packet Traffic Steps:

Incoming

- Packet arrives
- DMA
- NIC interrupts host
- Retrieve descriptors and headers
- Cache miss occurs
- Header is processed
- Payload transferred

Outgoing

- Packet transfer requested
- Packet created
- Output operation invoked
- DMA transfer
- NIC signals completion
- Driver frees buffer

Direct Cache Access Strategies

Simplest strategy was implemented as a prototype on a number of Intel Xeon processors between 2006 and 2010

This form of DCA applies only to incoming network traffic

The DCA function in the memory controller sends a prefetch hint to the core as soon as the data is available in system memory

This enables the core to prefetch the data packet from the system buffer



Much more substantial gains can be realized by avoiding the system buffer in main memory altogether

The packet and packet descriptor information are accessed only once in the system buffer by the core

For incoming packets, the core reads the data from the buffer and transfers the packet payload to an application buffer

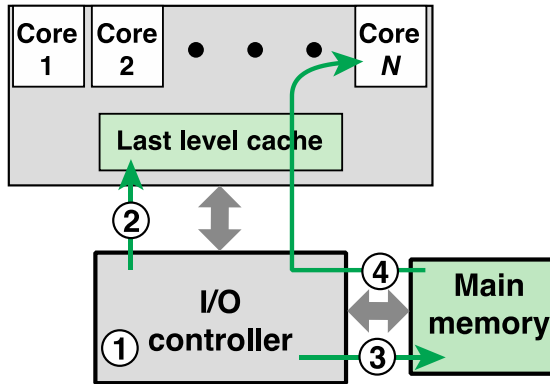
It has no need to access that data in the system buffer again

Cache injection

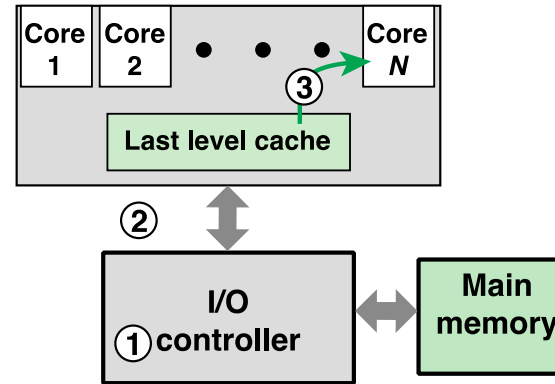
Implemented in Intel's Xeon processor line, referred to as Direct Data I/O

Figure 8.17

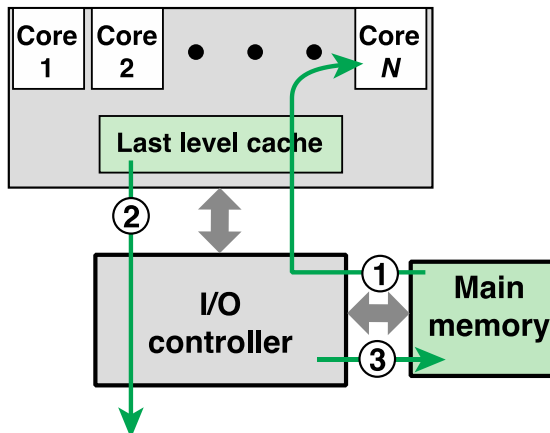
Comparison of DMA and DDIO



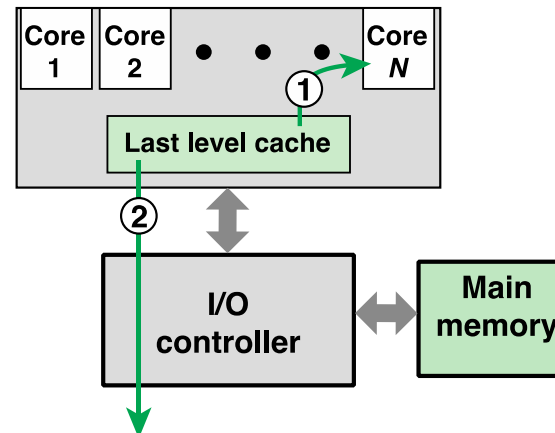
(a) Normal DMA transfer to memory



(b) DDIO transfer to cache



(c) Normal DMA transfer to I/O



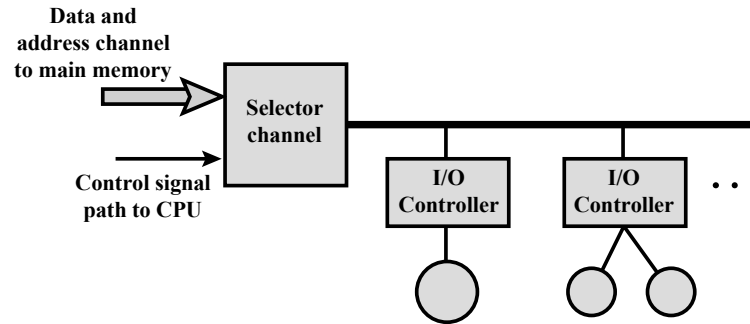
(d) DDIO transfer to I/O

Evolution of the I/O Function

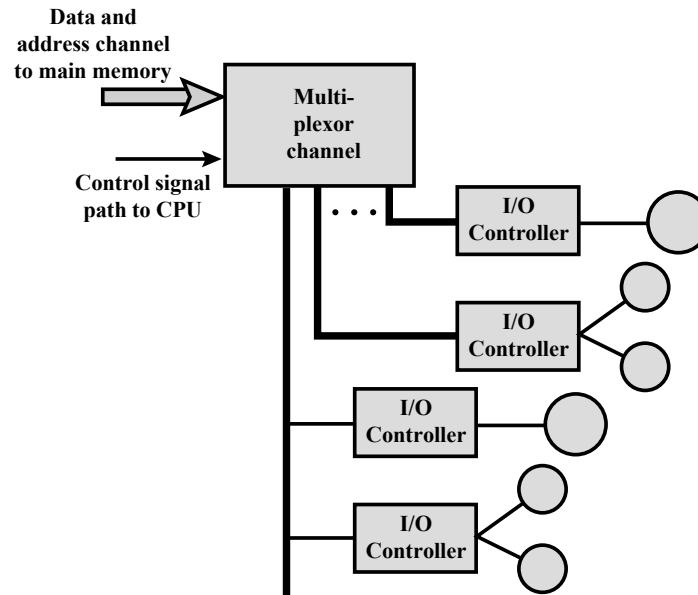
1. The CPU directly controls a peripheral device.
2. A controller or I/O module is added. The CPU uses programmed I/O without interrupts.
3. Same configuration as in step 2 is used, but now interrupts are employed. The CPU need not spend time waiting for an I/O operation to be performed, thus increasing efficiency.
4. The I/O module is given direct access to memory via DMA. It can now move a block of data to or from memory without involving the CPU, except at the beginning and end of the transfer.
5. The I/O module is enhanced to become a processor in its own right, with a specialized instruction set tailored for I/O
6. The I/O module has a local memory of its own and is, in fact, a computer in its own right. With this architecture a large set of I/O devices can be controlled with minimal CPU involvement.

Figure 8.18

I/O Channel Architecture



(a) Selector



(b) Multiplexor

Universal Serial Bus (USB)

- Widely used for peripheral connections
- Is the default interface for slower speed devices
- Commonly used high-speed I/O
- Has gone through multiple generations
 - USB 1.0
 - Defined a *Low Speed* data rate of 1.5 Mbps and a *Full Speed* rate of 12 Mbps
 - USB 2.0
 - Provides a data rate of 480 Mbps
 - USB 3.0
 - Higher speed bus called *SuperSpeed* in parallel with the USB 2.0 bus
 - Signaling speed of *SuperSpeed* is 5 Gbps, but due to signaling overhead the usable data rate is up to 4 Gbps
 - USB 3.1
 - Includes a faster transfer mode called *SuperSpeed+*
 - This transfer mode achieves a signaling rate of 10 Gbps and a theoretical usable data rate of 9.7 Gbps
- Is controlled by a root host controller which attaches to devices to create a local network with a hierarchical tree topology

FireWire Serial Bus

- Was developed as an alternative to small computer system interface (SCSI) to be used on smaller systems, such as personal computers, workstations, and servers
- Objective was to meet the increasing demands for high I/O rates while avoiding the bulky and expensive I/O channel technologies developed for mainframe and supercomputer systems
- IEEE standard 1394, for a High Performance Serial Bus
- Uses a daisy chain configuration, with up to 63 devices connected off a single port
- 1022 FireWire buses can be interconnected using bridges
- Provides for hot plugging which makes it possible to connect and disconnect peripherals without having to power the computer system down or reconfigure the system
- Provides for automatic configuration
- No terminations and the system automatically performs a configuration function to assign addresses

SCSI

- Small Computer System Interface
- A once common standard for connecting peripheral devices to small and medium-sized computers
- Has lost popularity to USB and FireWire in smaller systems
- High-speed versions remain popular for mass memory support on enterprise systems
- Physical organization is a shared bus, which can support up to 16 or 32 devices, depending on the generation of the standard
 - The bus provides for parallel transmission rather than serial, with a bus width of 16 bits on earlier generations and 32 bits on later generations
 - Speeds range from 5 Mbps on the original SCSI-1 specification to 160 Mbps on SCSI-3 U3

Thunderbolt

- Most recent and fastest peripheral connection technology to become available for general-purpose use
- Developed by Intel with collaboration from Apple
- The technology combines data, video, audio, and power into a single high-speed connection for peripherals such as hard drives, RAID arrays, video-capture boxes, and network interfaces
- Provides up to 10 Gbps throughput in each direction and up to 10 Watts of power to connected peripherals

InfiniBand

- I/O specification aimed at the high-end server market
- First version was released in early 2001
- Heavily relied on by IBM zEnterprise series of mainframes
- Standard describes an architecture and specifications for data flow among processors and intelligent I/O devices
- Has become a popular interface for storage area networking and other large storage configurations
- Enables servers, remote storage, and other network devices to be attached in a central fabric of switches and links
- The switch-based architecture can connect up to 64,000 servers, storage systems, and networking devices

PCI Express and SATA

PCI Express

- High-speed bus system for connecting peripherals of a wide variety of types and speeds

SATA

- Serial Advanced Technology Attachment
- An interface for disk storage systems
- Provides data rates of up to 6 Gbps, with a maximum per device of 300 Mbps
- Widely used in desktop computers and in industrial and embedded applications

Ethernet

- Predominant wired networking technology
- Has evolved to support data rates up to 100 Gbps and distances from a few meters to tens of km
- Has become essential for supporting personal computers, workstations, servers, and massive data storage devices in organizations large and small
- Began as an experimental bus-based 3-Mbps system
- Has moved from bus-based to switch-based
 - Data rate has periodically increased by an order of magnitude
 - There is a central switch with all of the devices connected directly to the switch
- Ethernet systems are currently available at speeds up to 100 Gbps

Wi-Fi

- Is the predominant wireless Internet access technology
- Now connects computers, tablets, smart phones, and other electronic devices such as video cameras TVs and thermostats
- In the enterprise has become an essential means of enhancing worker productivity and network effectiveness
- Public hotspots have expanded dramatically to provide free Internet access in most public places
- As the technology of antennas, wireless transmission techniques, and wireless protocol design has evolved, the IEEE 802.11 committee has been able to introduce standards for new versions of Wi-Fi at higher speeds
- Current version is 802.11ac (2014) with a maximum data rate of 3.2 Gbps

Figure 8.19

IBM z13 I/O Channel Structure

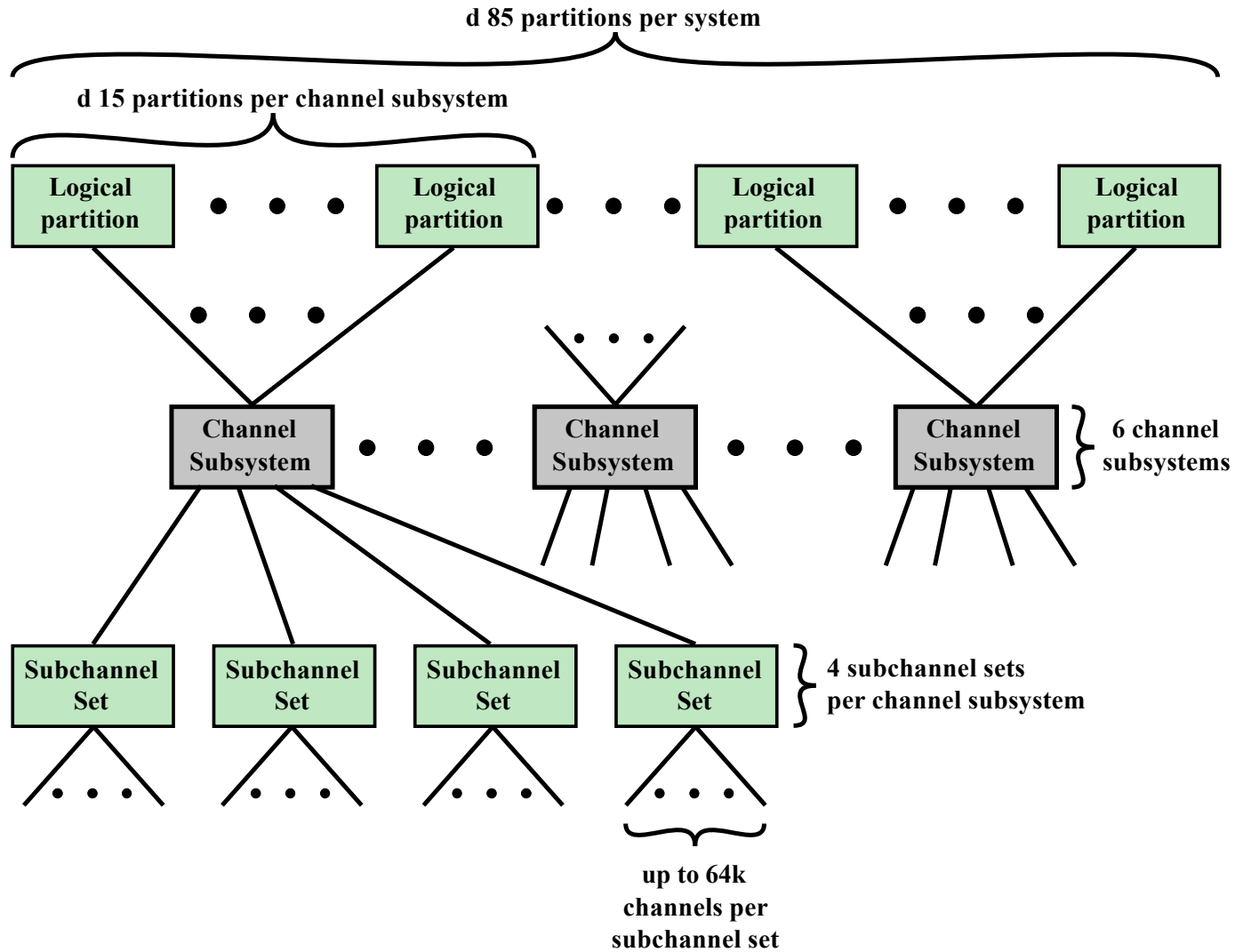
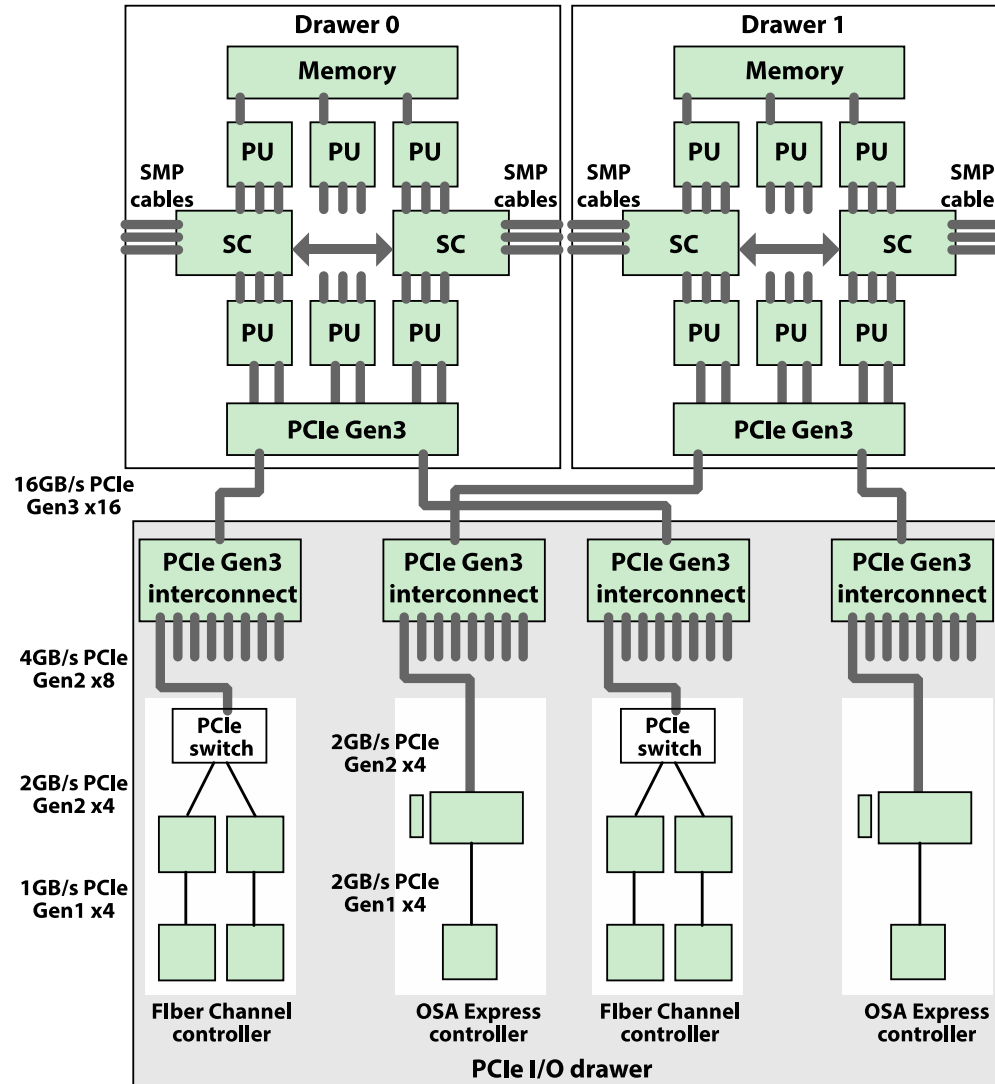


Figure 8.20

IBM z13 I/O System Structure



Summary

Chapter 8

- External devices
- I/O modules
- Programmed I/O
- Interrupt-driven I/O
- Direct memory access

Input/Output

- Direct Cache Access
- I/O channels and processors
- External interconnection standards
- IBM zEnterprise EC12 I/O structure